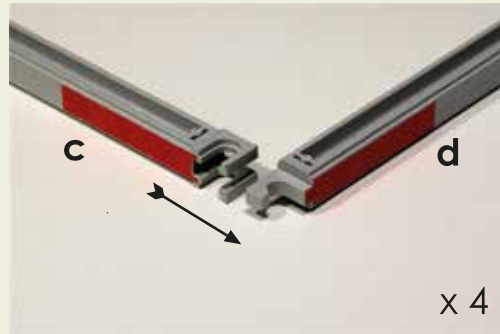
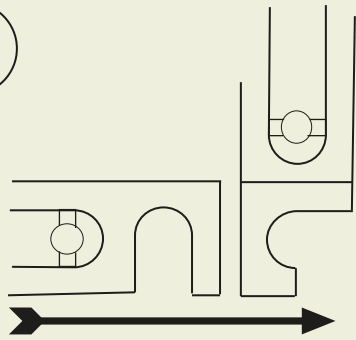


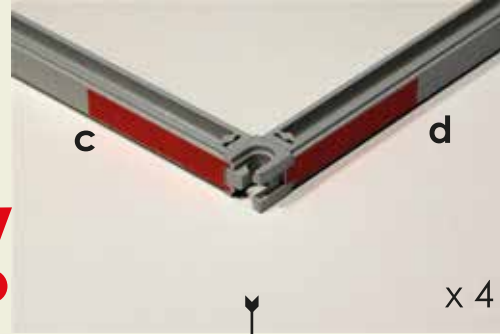
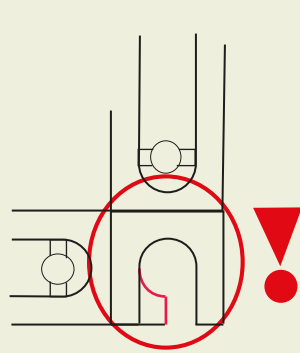


6 x a		1 x c	
3 x b		1 x d	
		1 x e	

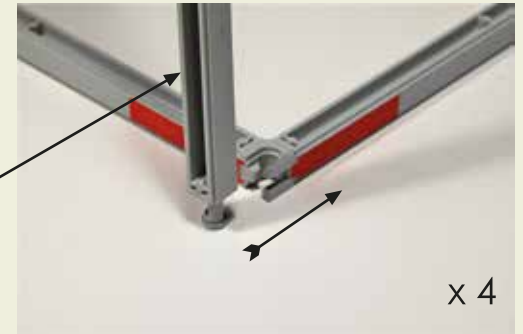
1.1



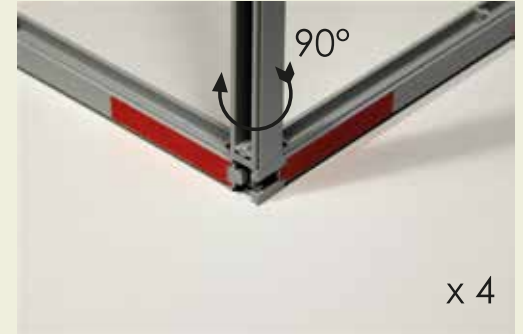
1.2



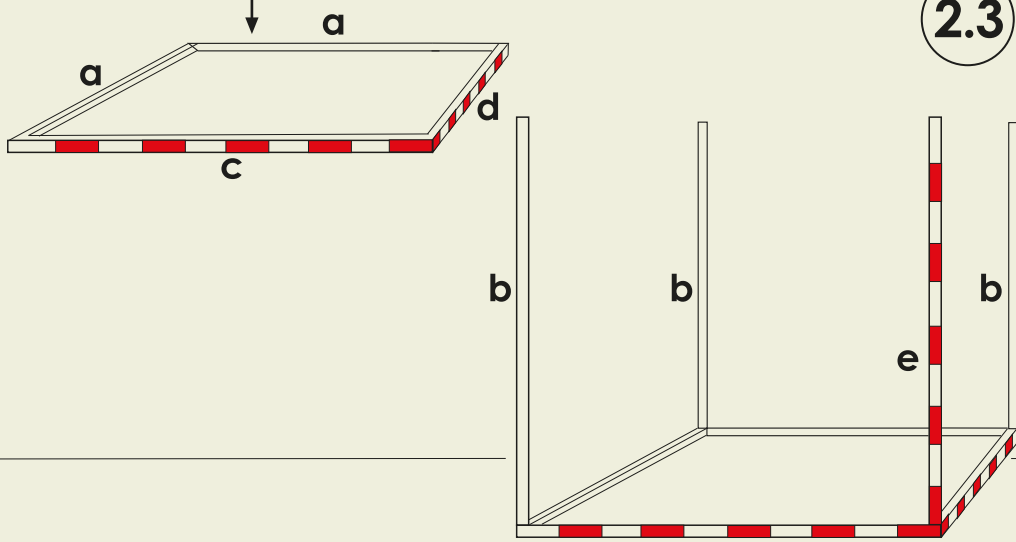
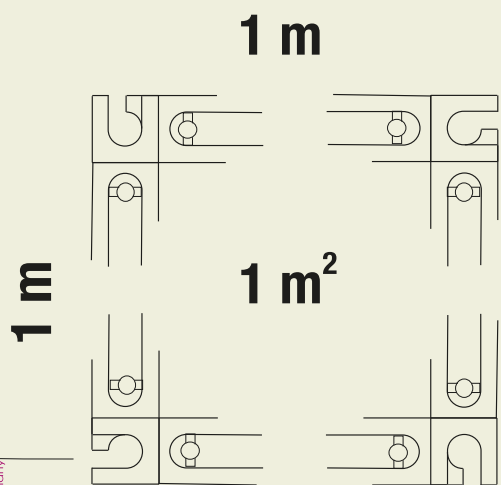
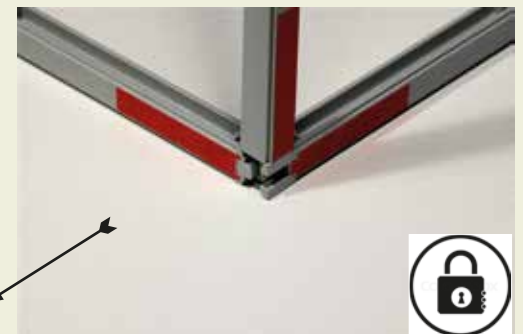
2.1



2.2

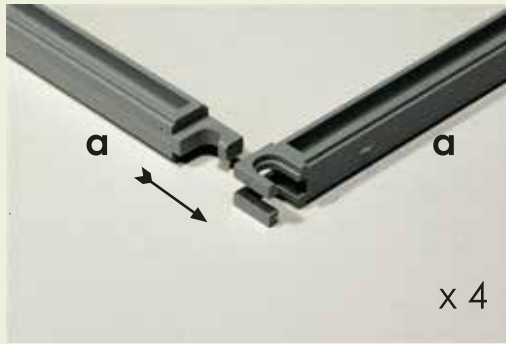
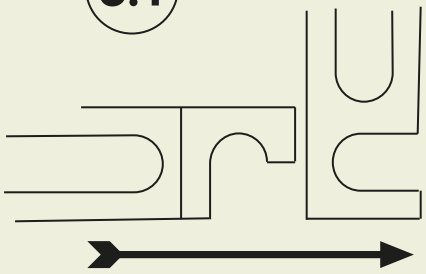


2.3

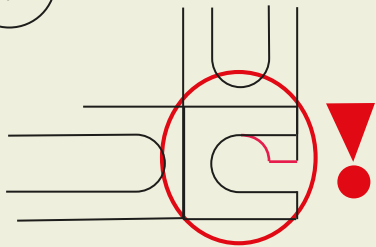




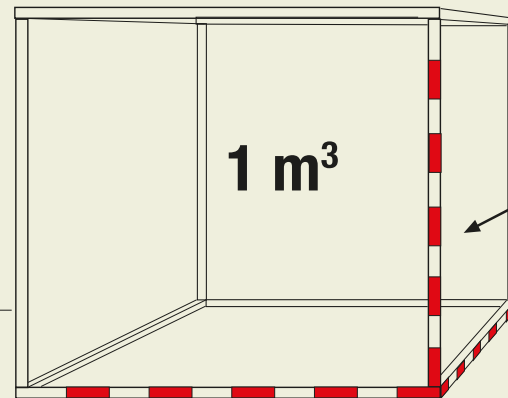
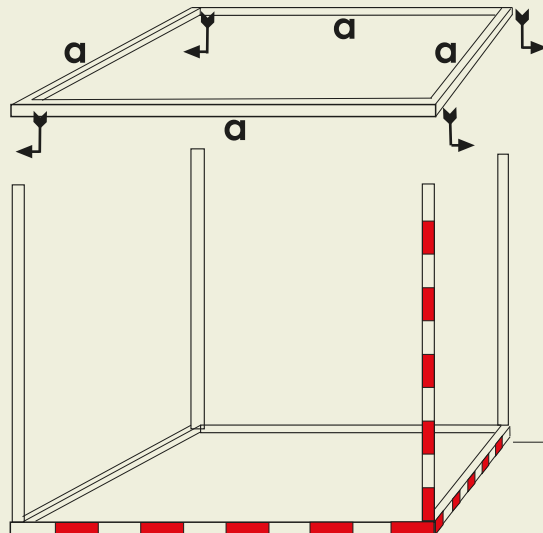
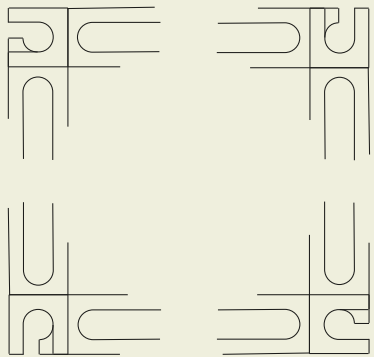
3.1



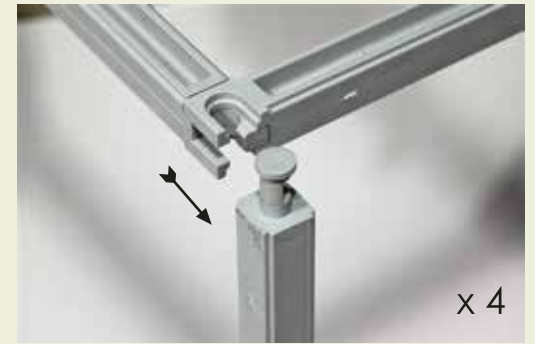
3.2



3.3



4.1



4.2



4.3

